

## RS 125 C

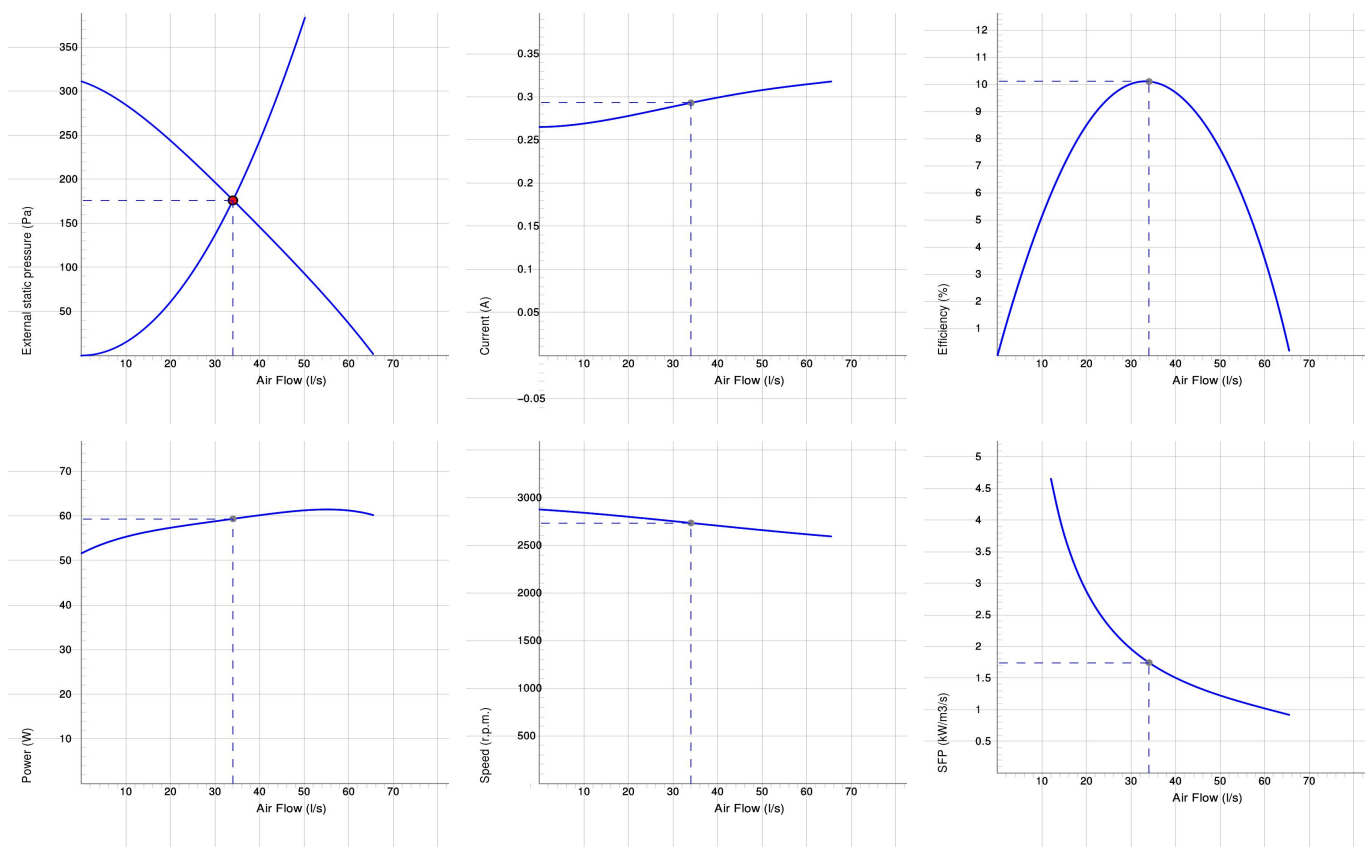


### RS

- Exhaust wall fan with circular inlet connection.
- Designed for mounting on external wall.
- Impeller with backward curved blades.
- The external rotor motor has maintenance-free sealed ball-bearings.
- Integrated motor protection.
- Junction box has enclosure class IP 54.
- For speed control a transformer or electronic speed controller can be connected.
- Fan housing is manufactured from galvanized sheet steel.
- Black painted for high durability.
- To comply with the ErP 2018 regulation, a local demand controller must be used.



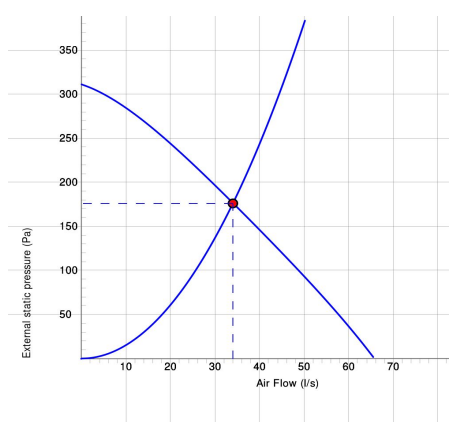
## DIAGRAMS



## Work Point

Air Flow (l/s)	External static pressure (Pa)	Power (W)	Speed (r.p.m.)	Current (A)	Efficiency (%)	SFP (kW/m <sup>3</sup> /s)	Voltage (V)
34	176	59.4	2735	0.293	10.1	1.75	230

## SOUND DATA



	Tot	63	125	250	500	1k	2k	4k	8k
Inlet Lw dB(A)	70	55	60	64	65	64	59	51	41
Surrounding Lw dB(A)	69	47	42	56	63	66	63	54	46
Surrounding Lp dB (A) 3m	62	40	35	49	56	59	56	47	39

## Work Point

Air Flow (l/s) 34	External static pressure (Pa) 176	Power (W) 59.4	Speed (r.p.m.) 2735	Current (A) 0.293	Efficiency (%) 10.1	SFP (kW/m3/s) 1.75	Voltage (V) 230
----------------------	--------------------------------------	-------------------	------------------------	----------------------	------------------------	-----------------------	--------------------

## TECHNICAL DATA

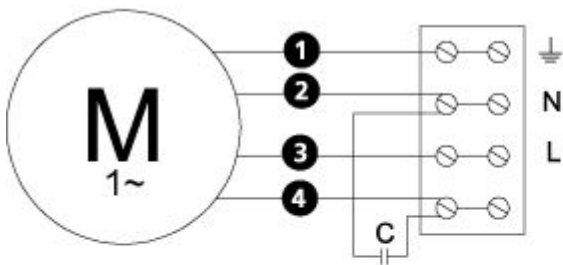
Parameter	RS 125 C man tp 7400002		RS 125 C aut tp 7400004	
	Value	Unit	Value	Unit
Voltage	230	V	230	V
Phase	1	~	1	~
Frequency	50	Hz	50	Hz
Power	62	W	62	W
Current	0.32	A	0.32	A
Speed	2460	r.p.m.	2460	r.p.m.
Max. temperature of transported air	60	°C	60	°C
Max. temperature of transported air when speed controlled	60	°C	60	°C
Sound pressure level at 3 m	62	dB(A)	62	dB(A)
Weight	3.4	kg	3.4	kg
Enclosure class	44	IP	44	IP
Insulation class, motor	F		F	
Capacitor	2	µF	2	µF
Duct connection	125	mm	125	mm
Max. flow	66	l/s	66	l/s
Max. pressure	311	Pa	311	Pa
Voltage range	220-240	V	220-240	V

## ECODESIGN

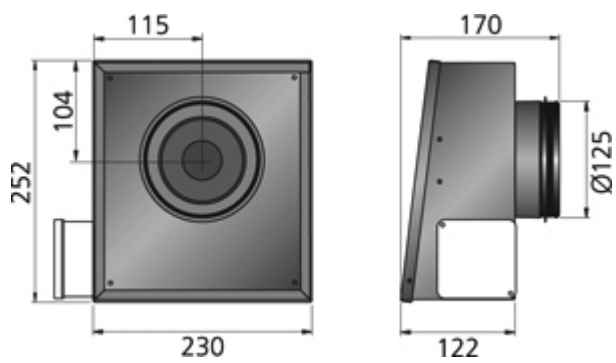
Parameter	Value	Unit
(a) Manufacturer	Östberg	-
(b) Model code	RS 125 C	-
(c) SEC value	-22.70	kWh/m <sup>2</sup>
SEC class	D	-
(d) Declared type	RVU / UVU	-
(e) Type of drive	Multi-speed drive (accessory)	-
(f) Type of heat recovery	N/A	-
(g) Thermal efficiency	N/A	%
(h) Max. flow rate (@100Pa)	175	m <sup>3</sup> /h
(i) Power at max. flow rate	69	W
(j) Sound power level	69	dB LwA
(k) Reference flow rate	0.58	m <sup>3</sup> /s
(l) Reference pressure difference	100	Pa
(m) SPI	0.34	W/(m <sup>3</sup> /h)
(n) Type of control	Local demand control	-
(o) External (internal) leakage rate	N/A	%
(p) Mixing rate	N/A	-
(q) Visual filter warning	N/A	-
(r) Instruction supply/exhaust grilles	See manual	-
(s) Disassembly instructions	<a href="http://www.ostberg.com">www.ostberg.com</a>	-
(t) Airflow sensitivity	N/A	-
(u) Air tightness	N/A	m/s
(v) AEC	605	kWh
(w) AHS average	3018	kWh
AHS warm	1365	kWh
AHS cold	5904	kWh

## WIRING DIAGRAM

4040001



## DIMENSIONS



## ACCESSORIES

### Mechanical accessories



Back draught shutter Silencer LDC 125  
RSK 125

### Electrical accessories



Transformer  
controller VRTE C



Transformer  
controller VRDE 1.5



Speed controller VRS  
0.5



Local Demand  
Controller Kit