

RS 160 C



RS

- Exhaust wall fan with circular inlet connection.
- Designed for mounting on external wall.
- Impeller with backward curved blades.
- The external rotor motor has maintenance-free sealed ball-bearings.
- Integrated motor protection.
- Junction box has enclosure class IP 54.
- For speed control a transformer or electronic speed controller can be connected.
- Fan housing is manufactured from galvanized sheet steel.
- Black painted for high durability.
- To comply with the ErP 2018 regulation, a local demand controller must be used.



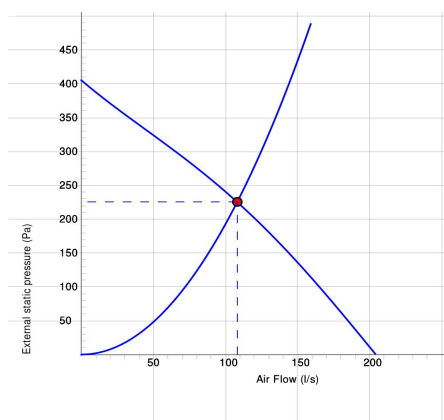
DIAGRAMS



Work Point

Air Flow (l/s) 108	External static pressure (Pa) 225	Power (W) 104	Speed (r.p.m.) 2565	Current (A) 0.453	Efficiency (%) 23.5	SFP (kW/m ³ /s) 0.958	Voltage (V) 230
-----------------------	--------------------------------------	------------------	------------------------	----------------------	------------------------	-------------------------------------	--------------------

SOUND DATA



	Tot	63	125	250	500	1k	2k	4k	8k
Inlet Lw dB(A)	73	52	60	66	70	68	59	55	41
Surrounding Lw dB(A)	71	47	44	60	67	66	64	58	46
Surrounding Lp dB (A) 3m	64	40	37	53	60	59	57	51	39

Work Point

Air Flow (l/s) 108	External static pressure (Pa) 225	Power (W) 104	Speed (r.p.m.) 2565	Current (A) 0.453	Efficiency (%) 23.5	SFP (kW/m3/s) 0.958	Voltage (V) 230
-----------------------	--------------------------------------	------------------	------------------------	----------------------	------------------------	------------------------	--------------------

TECHNICAL DATA

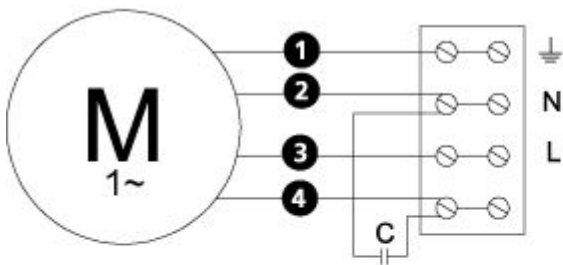
Parameter	RS 160 C man tp 7400010		RS 160 C aut tp 7400012	
	Value	Unit	Value	Unit
Voltage	230	V	230	V
Phase	1	~	1	~
Frequency	50	Hz	50	Hz
Power	104	W	104	W
Current	0.46	A	0.46	A
Speed	2480	r.p.m.	2480	r.p.m.
Max. temperature of transported air	65	°C	65	°C
Max. temperature of transported air when speed controlled	65	°C	65	°C
Sound pressure level at 3 m	64	dB(A)	64	dB(A)
Weight	5.2	kg	5.2	kg
Enclosure class	44	IP	44	IP
Insulation class, motor	F		F	
Capacitor	3	µF	3	µF
Duct connection	160	mm	160	mm
Max. flow	204	l/s	204	l/s
Max. pressure	402	Pa	402	Pa
Voltage range	220-240	V	220-240	V

ECODESIGN

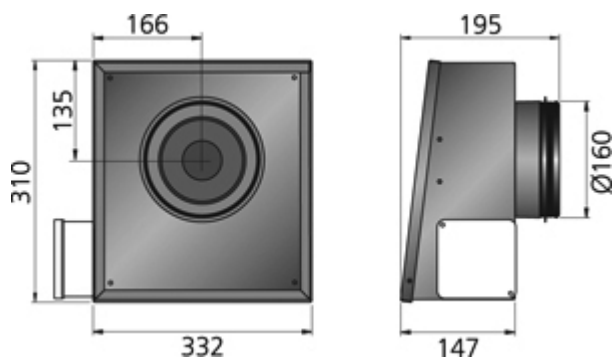
Parameter	Value	Unit
(a) Manufacturer	Östberg	-
(b) Model code	RS 160 C	-
(c) SEC value	-25.86	kWh/m ²
SEC class	C	-
(d) Declared type	RVU / UVU	-
(e) Type of drive	Multi-speed drive (accessory)	-
(f) Type of heat recovery	N/A	-
(g) Thermal efficiency	N/A	%
(h) Max. flow rate (@100Pa)	594	m ³ /h
(i) Power at max. flow rate	102	W
(j) Sound power level	71	dB LwA
(k) Reference flow rate	0.185	m ³ /s
(l) Reference pressure difference	50	Pa
(m) SPI	0.15	W/(m ³ /h)
(n) Type of control	Local demand control (accessory)	-
(o) External (internal) leakage rate	N/A (N/A)	%
(p) Mixing rate	N/A	-
(q) Visual filter warning	N/A	-
(r) Instruction supply/exhaust grilles	See manual	-
(s) Disassembly instructions	www.ostberg.com	-
(t) Airflow sensitivity	N/A	-
(u) Air tightness	N/A	m/s
(v) AEC	289	kWh
(w) AHS average	3018	kWh
AHS warm	1365	kWh
AHS cold	5904	kWh

WIRING DIAGRAM

4040001



DIMENSIONS



ACCESSORIES

Mechanical accessories



Back draught shutter Silencer LDC 160
RSK 160

Electrical accessories



Transformer
controller VRTE C



Transformer
controller VRDE 1.5



Speed controller
VRS
1.0



Local Demand
Controller Kit